

Tiandy



TC-C35JS Spec: I5/E/M/N/2.8mm(4mm) 5MP Starlight IR Bullet Camera

Pro Series



KEY FEATURES

- Full Metal Housing
- Up to 2592x1944@30fps, 1920x1080@60fps
- S+265/H.265/H.264/M-JPEG
- Min. illumination Color: 0.002Lux@F1.6
- Smart IR, IR Range: 50m
- Support Video Analytics
- Support Human/Vehicle Classification
- Support Face Capture Mode
- Plugin Free
- Operating Conditions -40°C~65°C, 0~95% RH
- POE, IP67



Tiandy Technologies Co.,Ltd.

Email: sales@tiandy.com Tel: +86-22-58596178
Website: en.tiandy.com Fax: +86-22-58596048



SPECIFICATIONS

| Camera | |
|----------------------|---|
| Image Sensor | 1/2.8" CMOS |
| Signal System | PAL/NTSC |
| Min. Illumination | Color: 0.002Lux@ (F1.6, ACG ON), B/W: 0Lux with IR |
| Shutter Time | 1s to 1/100,000s |
| Day & Night | Dual IR Cut Filter with Auto Switch |
| Wide Dynamic Range | 120dB |
| Angle Adjustment | Bracket, pan 0~360°, tilt 0~75°, rotate 0~360° |
| Lens | |
| Lens Type | Fixed |
| Focus | 2.8mm/4mm |
| Lens Mount | M12 |
| Aperture | F1.6, Fixed |
| FOV | Horizontal field of view: 97.8° (2.8mm)/81° (4mm) |
| Illuminator | |
| IR LEDs | 2 |
| IR Range | Up to 50m |
| Wavelength | 850nm |
| White/Warmlight LEDs | N/A |
| Compression Standard | |
| Video Compression | S+265/H.265/H.264/M-JPEG |
| Video Bit Rate | 32Kbps~16Mbps |
| Audio Compression | N/A |
| Audio Bit Rate | N/A |
| Image | |
| Max. Resolution | 2592x1944 |
| Main Stream | PAL: 25fps (2592×1944, 2592×1520, 2560×1440, 2304×1296), 50fps (1920×1080, 1280×720) NTSC: 30fps (2592×1944, 2592×1520, 2560×1440, 2304×1296), 60fps (1920×1080, 1280×720) |
| Sub Stream | PAL: 25fps (704×576, 704×288, 640×480, 352×288) NTSC: 30fps (704×480, 704×240, 640×480, 352×240) |
| Third Stream | PAL: 25fps(1920×1080, 1280×720, 704×576, 704×288, 640×480, 352×288) NTSC: 30fps(1920×1080, 1280×720, 704×480, 704×240, 640×480, 352×240) |
| Image Setting | Saturation, brightness, contrast, sharpness, adjustable by client software or web browser |
| Image Enhancement | BLC/3D DNR/HLC/Corridor Format |
| ROI | Support 8 fixed regions of coding |
| OSD | 16×16, 24×24, 32×32, 48×48, 64×64, 96×96, adaptable size, Letters Such as Week, Date, Time, Total 8 Regions |
| Picture Overlay | Yes |
| Privacy Mask | Yes, 8 regions |
| Smart Defog | Yes |
| Feature | |
| Alarm Trigger | Motion Detection, Mask Alarm, Disk Full, Disk R/W Error, IP Address Conflict, MAC Address Conflict, FTP Server Exception |
| Video Analytics | Tripwire, Double Tripwire, Perimeter, Object Abandon, Object Lost, Loitering, Running, Parking, Crowded, People Counting, On Duty Detection, Video Abnormal, Audio Abnormal, Heatmap, Face Capture(Face Detection), Safety Helmet Detection, Human/Vehicle Classification |
| Early Warning(EW) | N/A |



| Network | |
|--------------------------------|--|
| ANR | Yes, auto store video in SD card when NVR disconnected, and upload video to NVR when resumed connection (Only Support Tiandy ANR NVR) |
| Protocols | TCP/IP, ICMP, HTTP, HTTPS, DHCP, DNS, DDNS, RTP, RTSP, RTCP, PPPoE, MULTICAST, UPnP, FTP, IPV4, NTP, SMTP, IGMP, 802.1x, QoS, IPV6, ARP, UDP, SNMP, SSL, SIP, Telnet, SNT, RTMP, SFTP, NFS |
| System Compatibility | ONVIF (PROFILE S/T/G), SDK, Milestone, CGI, P2P |
| Remote Connection | ≤7 |
| Client | Easy7, EasyLive |
| Web Version | Web6 |
| Interface | |
| Communication Interface | 1 RJ45 10M/ 100M self adaptive Ethernet port |
| Audio | N/A |
| Alarm | N/A |
| Reset Button | Yes |
| On-board storage | Built-in Micro SD card slot, up to 512 GB |
| General | |
| Firmware Version | - |
| Web Client Language | 15 languages English, Russian, Spanish, Korean, Italian, Turkish, Simple Chinese, Traditional Chinese, Thai, French, Polish, Dutch, Hebraism, Arabic, Vietnamese |
| Operating Conditions | -40°C ~ 65°C, 0 ~ 95% RH |
| Power Supply | DC12V±25%/PoE |
| Power Consumption | MAX: 6W (12V) MAX: 7W (PoE) |
| Protection | IP67, Lightning protection, surge protection and voltage transient protection meets EN 55035:2017 |
| Heater | N/A |
| Dimensions | 189×70×70mm (7.44×2.76×2.76inch) |
| Weight | 0.45Kg (0.99lb) |

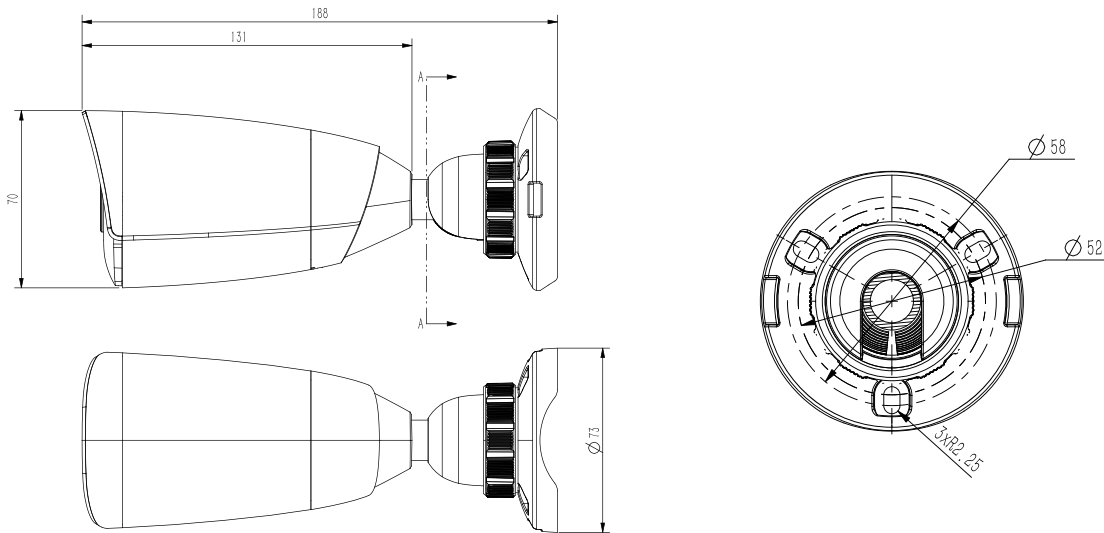
* Listed resolutions are only selectable options. It does not mean that all streams can work at their maximum resolution at the same time.

AVAILABLE MODEL

TC-C35JS SPEC: I5/E/M/N/2.8MM

TC-C35JS SPEC: I5/E/M/N/4MM

DIMENSIONS (Unit: mm)



ACCESSORIES



TC-P54BM SPEC: V5/V2.0
JUNCTION BOX

DISTRIBUTED BY



Tiandy Technologies Co.,Ltd.

Email: sales@tiandy.com
Website: en.tiandy.com

Tel: +86-22-58596178
Fax: +86-22-58596048