

Tiandy



TC-C32KN Spec: I3/Y/WIFI/2.8mm/V4.1

2MP Fixed IR Wi-Fi Dome Camera

Lite Series



KEY FEATURES

- Metal+Plastic Housing
- Up to 1920x1080@30fps
- S+265/H.265/H.264
- Min. illumination Color: 0.02Lux@F2.0
- Smart IR, IR Range: 30m
- Operating Conditions -40°C~65°C, 0~95% RH
- Built-in Mic, SD Card Slot, Reset Button
- Support Wi-Fi
- IP66, IK10



Tiandy Technologies Co.,Ltd.

Email: sales@tiandy.com
Website: en.tiandy.com

Tel: +86-22-58596178
Fax: +86-22-58596048



SPECIFICATIONS

| Camera | |
|----------------------|---|
| Image Sensor | 1/2.8" CMOS |
| Signal System | PAL/NTSC |
| Min. Illumination | Color: 0.02Lux@ (F2.0, AGC ON), B/W: 0Lux with IR |
| Shutter Time | 1s to 1/100,000s |
| Day & Night | Dual IR Cut Filter with Auto Switch |
| Wide Dynamic Range | Digital WDR |
| Angle Adjustment | pan 0~330°, tilt 0~75°, roate 0~350° |
| Lens | |
| Lens Type | Fixed |
| Focus | 2.8mm |
| Lens Mount | M12 |
| Aperture | F2.0, Fixed |
| FOV | Horizontal field of view: 98.5° Vertical field of view: 55.7° |
| Illuminator | |
| IR LEDs | 8 |
| IR Range | Up to 30m |
| Wavelength | 850nm |
| White LEDs | N/A |
| Compression Standard | |
| Video Compression | S+265/H.265/H.264 |
| Video Bit Rate | 32Kbps~6Mbps |
| Audio Compression | G.711/G.711U/ADPCM |
| Audio Bit Rate | 8K Hz~48K Hz |
| Image | |
| Max. Resolution | 1920x1080 |
| Main Stream | PAL: 25fps (1920×1080, 1280×720, 704×576, 640×480) NTSC: 30fps (1920×1080, 1280×720, 704×480, 640×480) |
| Sub Stream | PAL: 25fps (704×576, 704×288, 640×360, 352×288) NTSC: 30fps (704×480, 704×240, 640×360, 352×240) |
| Third Stream | N/A |
| Image Setting | Saturation, brightness, contrast, sharpness, adjustable by client software or web browser |
| Image Enhancement | BLC/3D DNR/HLC |
| ROI | N/A |
| OSD | 16×16, 32×32, adaptable size, Letters Such as Week, Date, Time, Total 1 Regions |
| Picture Overlay | N/A |
| Privacy Mask | Yes, 4 regions |
| Smart Defog | Yes |
| Feature | |
| Alarm Trigger | Motion Detection, Mask Alarm, IP Address Conflict |
| Video Analytics | N/A |
| Early Warning(EW) | N/A |

Tiandy

| Network | |
|-------------------------|--|
| Network Storage | Yes(Only Support Tiandy ANR NVR) |
| Protocols | TCP/IP, HTTP, FTP, DHCP, DNS, DDNS, IPV4, NTP, UDP, ICMP, RTP, RTSP, UPnP |
| System Compatibility | ONVIF (PROFILE S/T/G), SDK, P2P(Mutually exclusive with Profile G) |
| Remote Connection | ≤2 |
| Client | Easy7, EasyLive Plus |
| Web | IE10+;Firefox52+;Edge89+;Safari11+;Chrome57+ |
| Wi-Fi | |
| Wireless Standards | IEEE802.11b/g/n |
| Frequency Range | 2.4GHz ~ 2.4835 GHz |
| Channel Bandwidth | 20/40MHz |
| Protocols | 802.11b: CCK, QPSK, BPSK 802.11g/n: OFDM/HT |
| Security | WPA-PSK/WPA2-PSK |
| Transfer Rates | 802.11b: 11Mbps 802.11g: 54Mbps 802.11n: up to 150Mbps |
| Wireless Range | Up to 50m (The performance varies based on actual environment) |
| Power Consumption | 802.11b: 17±1.5dBm@11Mbps 802.11g: 14±1.5dBm@54Mbps 802.11n: 12.5±1.5dBm@150Mbps |
| Interface | |
| Communication Interface | 1 RJ45 10M/ 100M self adaptive Ethernet port |
| Audio I/O | Mic in |
| Alarm I/O | N/A |
| Reset Button | Yes |
| On-board storage | Built-in MicroSD card slot, up to 512 GB |
| General | |
| Operating Conditions | -40°C~65°C, 0~95% RH |
| Web Client Language | 19 languages Simple Chinese/Traditional Chinese/English/Spanish/Korean/Italian/Turkish/Russian/Thai/French/ Polish/Dutch/Hebrew/Arabic/Vietnamese/German/Ukrainian/Portuguese/Albanian |
| Power Supply | DC12V±25% |
| Power Consumption | MAX: 6W (12V) |
| Protection | Surge protection 2000V;Lightning proof 6000V;IP66;IK10 |
| Heater | N/A |
| Dimensions | Φ120×90mm (Φ4.72×3.54 inch) |
| Weight | 0.41Kg |

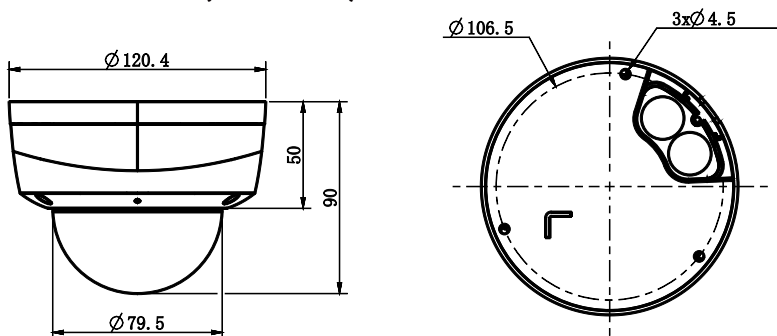
* Listed resolutions are only selectable options. It does not mean that all streams can work at their maximum resolution at the same time.

AVAILABLE MODEL

TC-C32KN SPEC: I3/Y/WIFI/2.8MM/V4.1

Tiandy

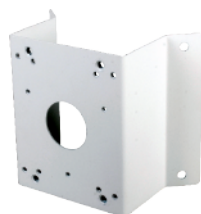
DIMENSIONS (Unit: mm)



ACCESSORIES



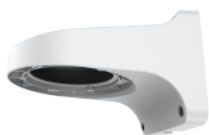
A36
Pole Mount



A35
Corner Mount



811
Junction Box



A29
Wall Mount



A25
Corner/Pole Mount



A20
Pendant Mount

DISTRIBUTED BY



Tiandy Technologies Co.,Ltd.

Email: sales@tiandy.com

Tel: +86-22-58596178

Website: en.tiandy.com

Fax: +86-22-58596048