

TC-NC1261

12MP 360° Panoramic Fisheye Camera

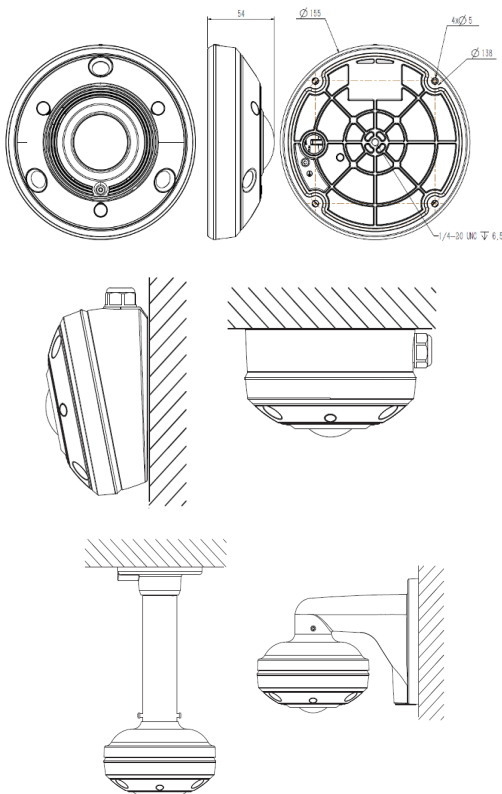
Tiandy



Features

- 12MP 360° Panoramic View
- 1/1.7" 12MP CMOS
- Up To 4000 × 3072@20fps
- Up To 14 Live View Display Modes
- H.265 Compression
- VCA Tripwire/Double Tripwire/Perimeter/Early Warning/Heat Map/Audio Abnormal Detection/Video Abnormal Detection/Autotracking
- Up to 15m IR Range
- 3 pcs White Light, Up to 10m Light Range
- Interface Built-in Dual Mic and Speaker, Alarm in/out 2/1, MicroSD Card Slot, up to 128GB, Reset Button, BNC, RS485
- TVS 6000V, Lightning/Surge Protection: (Power 2000V, RJ45 1000V), IP66, IK10
- Operating Conditions -35°C ~ 60°C, 0 ~ 95% RHG
- CE, FCC

Dimensions



Camera	
Image Sensor	1/1.7" 12MP CMOS
Signal System	PAL/NTSC
Min. Illumination	Color: 0.05 Lux @(F2.8, AGC ON) B/W: 0.01Lux @(F2.8, AGC ON); 0 Lux with IR
Shutter Time	1s to 1/100,000s
Lens	2mm, F2.8, horizontal field of view: 180°(wall mount); 360°(ceiling mount); 360°(table mount)
Lens Mount	M12
Day & Night	IR Cut Filter with Auto Switch
Wide Dynamic Range	100 dB
Digital Noise Reduction	3D DNR
Compression Standard	
Video Compression	H.265/S+264/H.264/H.264M/H.264B/MJPEG
Video Bit Rate	32Kbps~16Mbps
Audio Compression	G.711A/G.711U/ADPCM/AAC
Audio Bit Rate	8K~48Kbps
Image	
Max. Image Resolution	4000 × 3072
Fisheye View	50Hz: 20fps@(4000×3072), 25fps@(3072×3072, 2560×2560)
Main Stream	60Hz: 20fps@(4000×3072), 30fps@(3072×3072, 2560×2560)
Fisheye View	50Hz: 20fps@(720×720, 704×576)
Sub Stream	60Hz: 20fps@(720×720, 704×576)
Image Settings	Brightness, Saturation, Contrast, Flip Mode
HLC	Y
Smart Defog	Y
Corridor Format	N/A
ROI	Y
Privacy Mask	Y
Picture Overlay	Y
OSD	16×16, 32×32, 24×24, 48×48, 64×64, 96×96 Size Letters Such as Week, Date, Time, Total 5 Regions
Live View Display	
Mount Type	Support table, wall, and ceiling
Decoding Mode	Support hardware decoding and software decoding
Display Mode	Support 14 display modes in total Fisheye View, 180 Panorama View, 4PTZ, Fisheye + 3PTZ 360 Panorama View, 360 Panorama + PTZ, 360 Panorama + 3PTZ 360 Panorama + 6PTZ, 360 Panorama + 8PTZ, 2PTZ, Fisheye + 8PTZ Panorama View, Panorama + 3PTZ, Panorama + 8PTZ
Network	
Network Storage	FTP
NTP	Y
ANR	Y
Video Analytics	Tripwire/Double Tripwire/Early Warning/Heat Map/Autotracking/Abnormal Detection/Video Abnormal Detection
EW	Y
Alarm Trigger	Motion Detection/IP Conflict/MAC Conflict/Port Alarm/Mask Alarm/Storage Full/Network Disconnection
Protocols	HTTP/802.1x/FTP/SMT/UPnP/SNMP/DNS/DDNS/NTP/RTSP/TCP/UDP/DHCP/PPPoE
Remote Connection	≤7
System Compatibility	ONVIF (Profile S), P2P, SDK
Interface	
Audio Input	1-ch, Built-in Dual Mic
Audio Output	1-ch, Built-in Speaker
Communication Interface	1 RJ45 10M/100M/1000M Ethernet port
Alarm Input	2-ch
Alarm Output	1-ch
Video Output	1Vp-p Composite Output (75Ω/BNC)
On-board Storage	MicroSD Card Slot, up to 128GB
Extension	Reset, RS485
General	
Language	English, Simplified Chinese, Traditional Chinese, Spanish, Italian, Korean, Turkish, Russian, Thai, Polish, French
Operating Conditions	-35°C ~ 60°C, 0 ~ 95% RHG
Power Supply	DC 12 V ± 25%, POE
Power Consumption	Max. 11.7W (IR ON)
IR Light	3
IR Distance	15m
White Light	3
Impact Protection	IP66, IK10
Dimensions	155mm × 155mm × 54mm
Weight	0.75KG (IP Camera Only); 1.05KG (with Packing Box)

* The latest product information / specification can be found at <http://en.tiandy.com/>

